

MANDAKO

**3-PLEX LAND ROLLER
30' TO 50'**

PARTS MANUAL

Machine Overview A..... 2

Machine Overview B 3

Frames & Knuckle Connections..... 4

Roller Drums..... 5

A-Frame Hitch..... 6

Mechanical Floating Hitch 7

Connections & Hardware..... 8

Axle & Wheels Assembly: Main 9

Rear Wheel & Axle Linkage 10

Rear Fixed Wheel & Axle Assembly (Standard) 11

Rear Steering Axle & Wheel (Optional) 12

Rear Steering Axle & Dual Wheels (Optional)..... 13

Hub & Spindle Assembly 14

Hydraulic Overview..... 15

Floating Hitch Hydraulic Schematic..... 16

Wheel Lift Hydraulic Schematic 17

Rear Steering Hydraulic Schematic 18

Wing Lock Hydraulic Schematic..... 19

Hazard Lights..... 20

Spindle Order Form..... 21

Cylinder Stop Order Form: Option A 22

Cylinder Stop Order Form: Option B..... 23

Cylinder/Seal Repair Kit Order Form 24

Optional Accessories..... 25

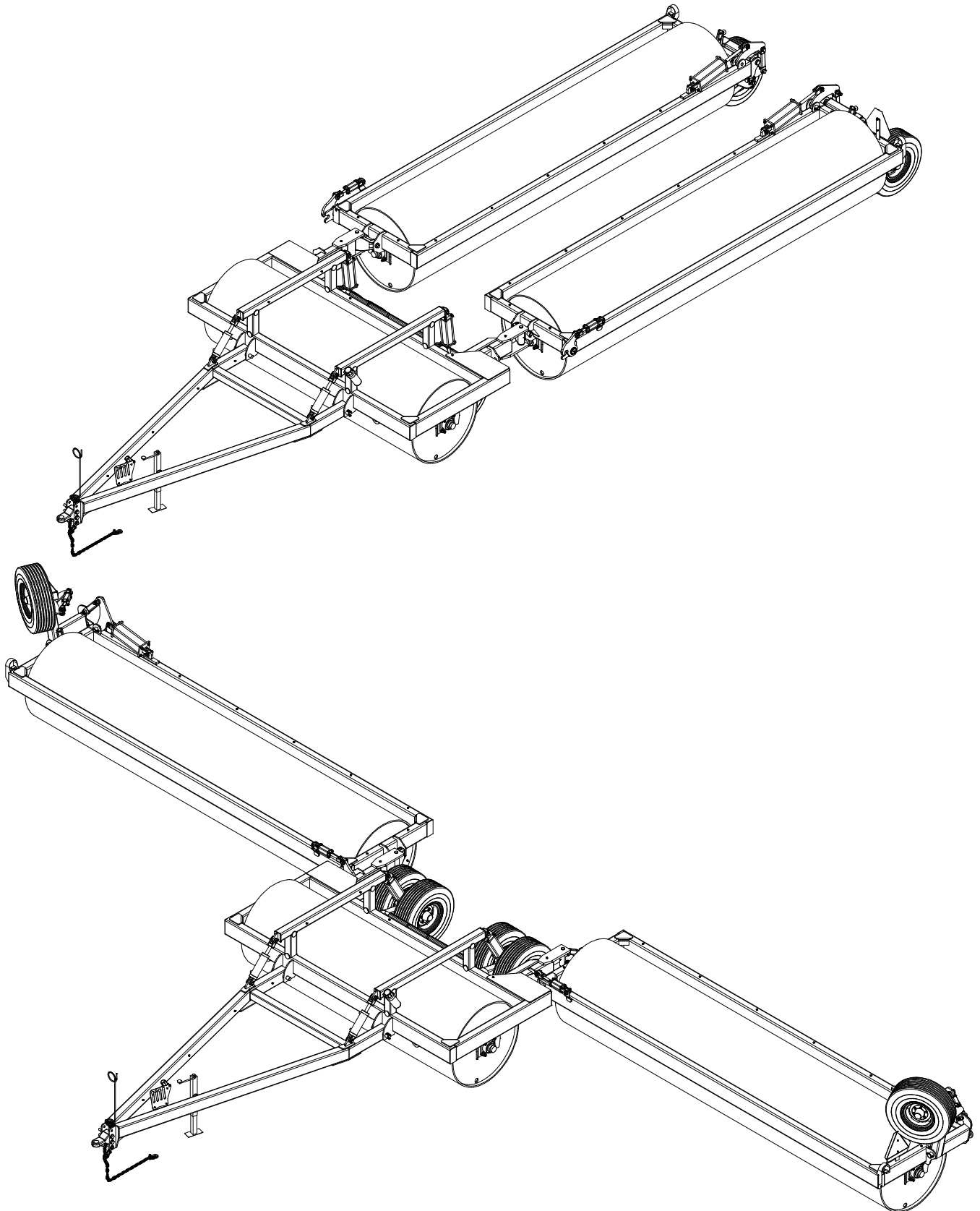
Acre Counter Conversion Chart 26

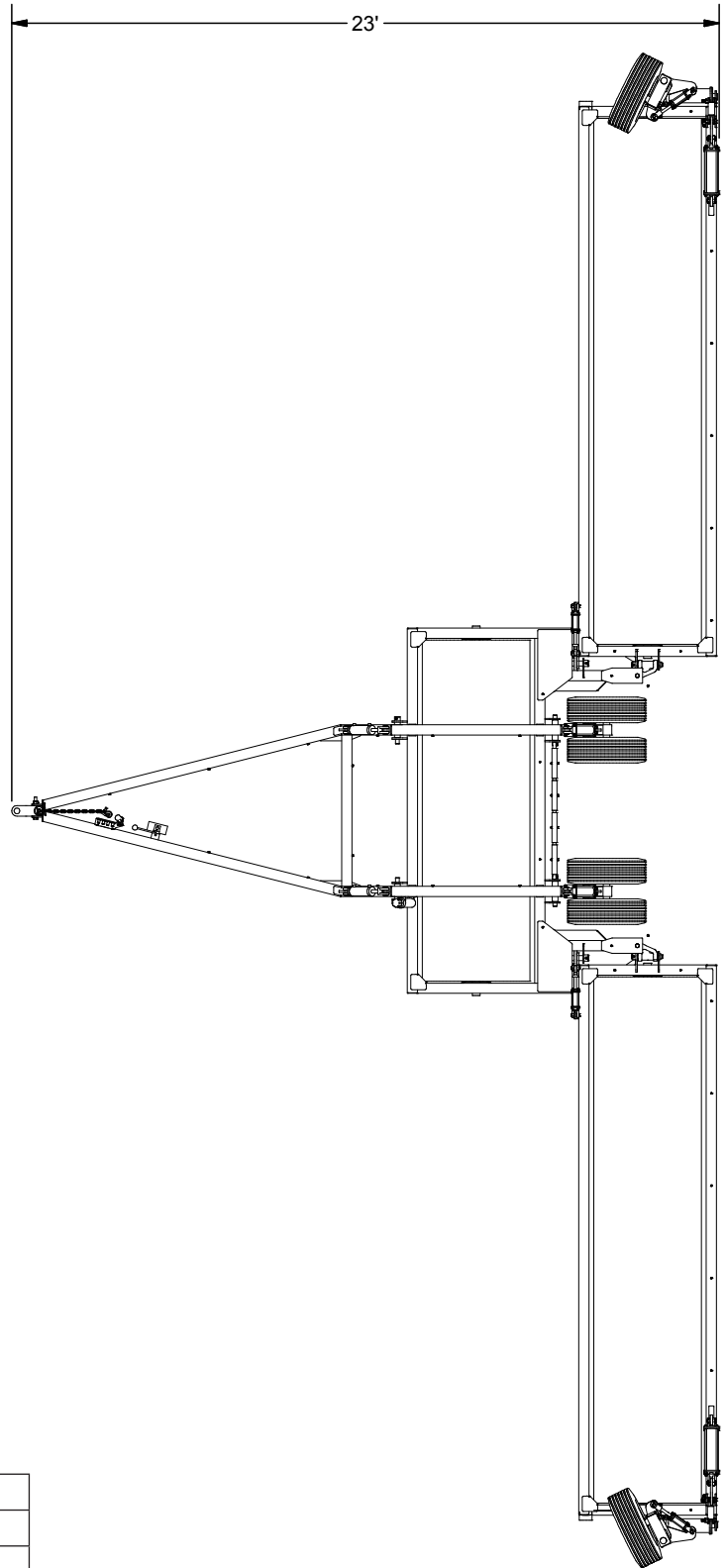
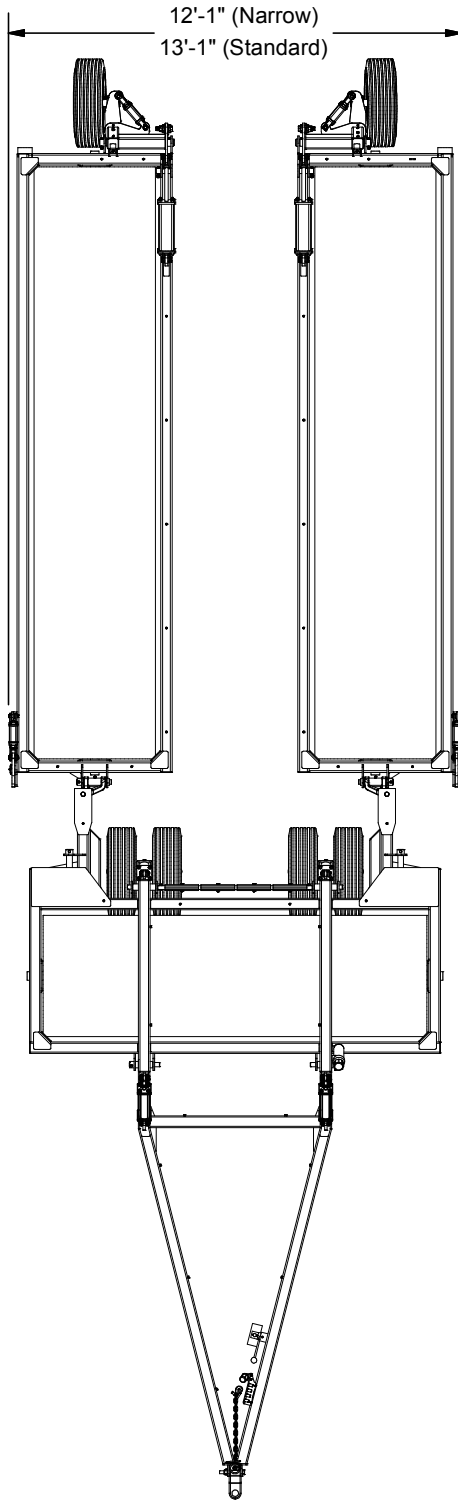
Bearing Cross Reference 27

Notes..... 28

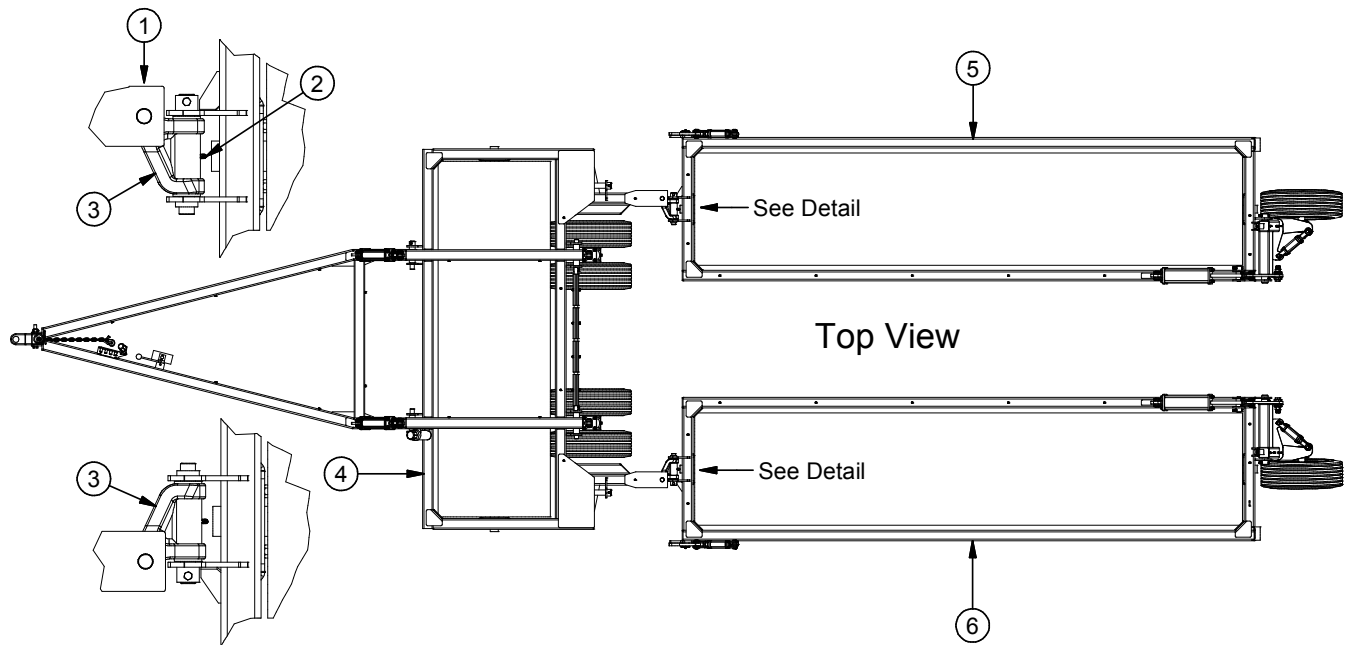
Model #: _____

Serial #: _____

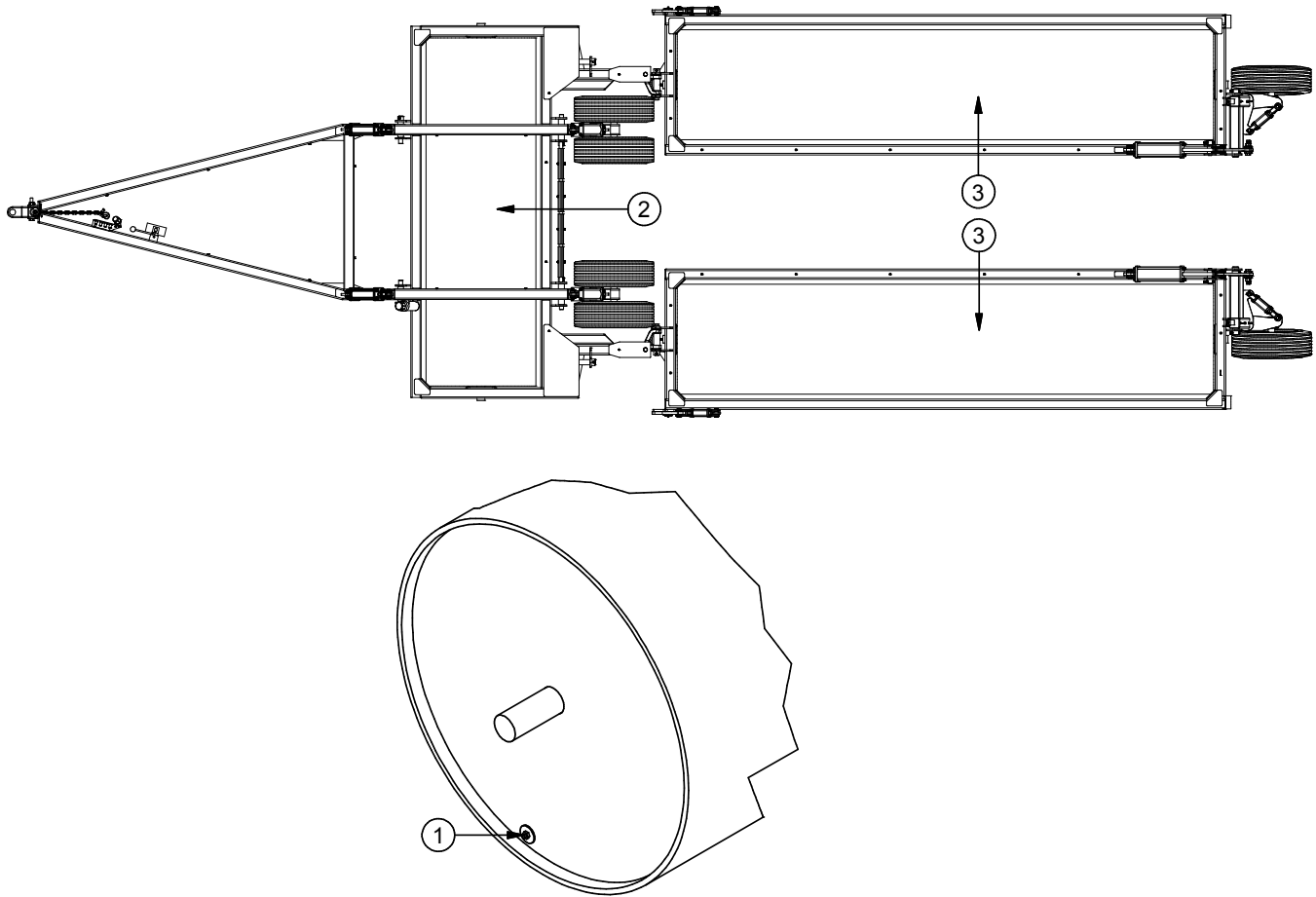




Approx. Weights	Roller Drum	
	36" Dia. x 1/2" Wall	410
	42" Dia. x 5/8" Wall	500
	42" Dia. x 3/4" Wall	550

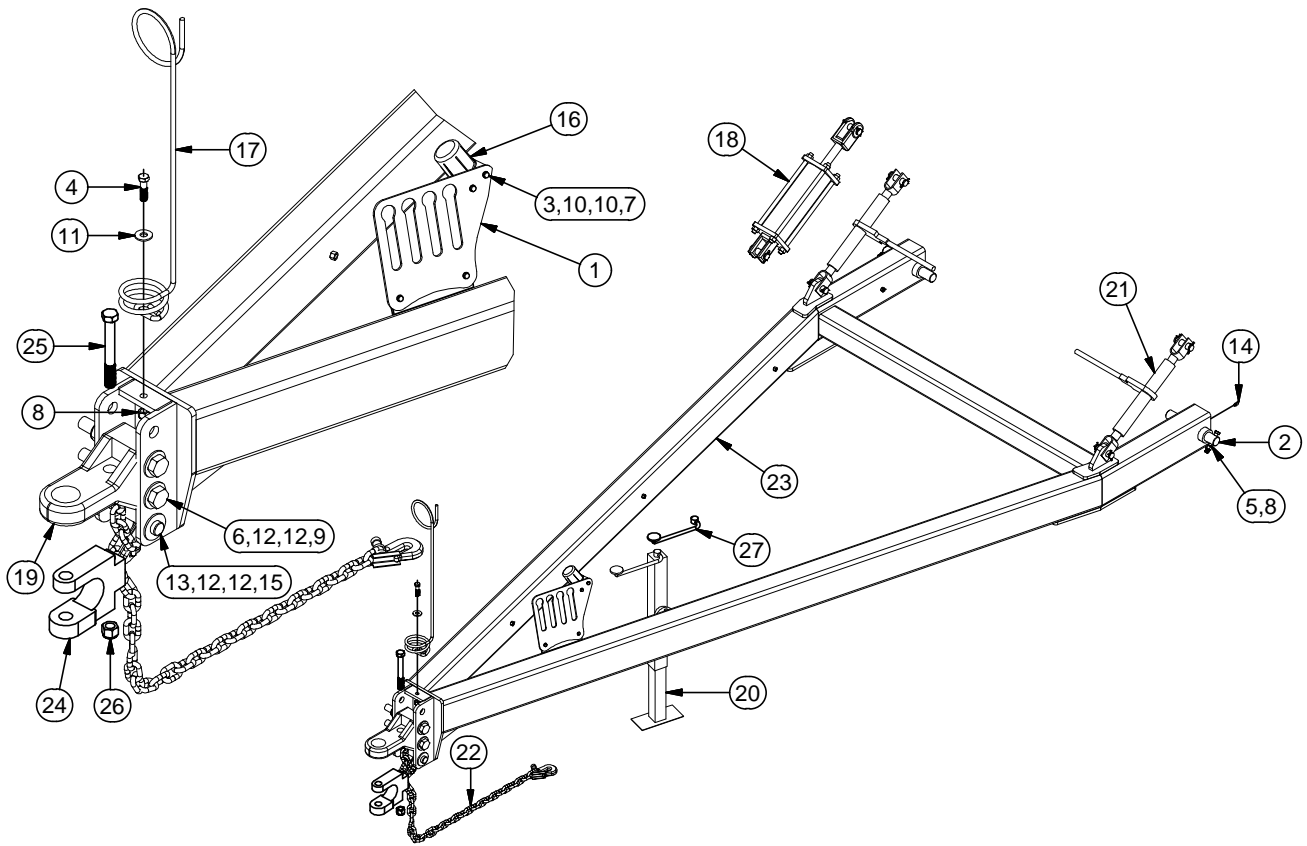


Item	Part #	Description	
1	R1502501	Zerk, Grease: 1/8" NPT	
2	R1502503	Zerk, Grease: 1/8" NPT, 90°	
3	R9901004	Knuckle, Cast	
Item	Part #	Landroller	Description
4	WM002003	30' Standard	Frame, Main, 3-Plex: 9'
	WM002004	34' - 50' Narrow	Frame, Main, 3-Plex: 10'
	WM002005	34' - 50' Standard	Frame, Main, 3-Plex: 11'
5	WM002010	30' Standard	Frame, Wing, 3-Plex, RH: 10-1/2'
	WM002014	34' Narrow	Frame, Wing, 3-Plex, RH: 12'
	WM002012	34' Standard	Frame, Wing, 3-Plex, RH: 11-1/2'
	WM002018	40' Narrow	Frame, Wing, 3-Plex, RH: 15'
	WM002016	40' Standard	Frame, Wing, 3-Plex, RH: 14-1/2'
	WM002022	45' Narrow	Frame, Wing, 3-Plex, RH: 17-1/2'
	WM002020	45' Standard	Frame, Wing, 3-Plex, RH: 17'
	WM002024	50' Narrow	Frame, Wing, 3-Plex, RH: 19-1/2'
6	WM002026	50' Standard	Frame, Wing, 3-Plex, RH: 20'
	WM002011	30' Standard	Frame, Wing, 3-Plex, LH: 10-1/2'
	WM002015	34' Narrow	Frame, Wing, 3-Plex, LH: 12'
	WM002013	34' Standard	Frame, Wing, 3-Plex, LH: 11-1/2'
	WM002019	40' Narrow	Frame, Wing, 3-Plex, LH: 15'
	WM002017	40' Standard	Frame, Wing, 3-Plex, LH: 14-1/2'
	WM002023	45' Narrow	Frame, Wing, 3-Plex, LH: 17-1/2'
	WM002021	45' Standard	Frame, Wing, 3-Plex, LH: 17'
WM002025	50' Narrow	Frame, Wing, 3-Plex, LH: 19-1/2'	
WM002027	50' Standard	Frame, Wing, 3-Plex, LH: 20'	



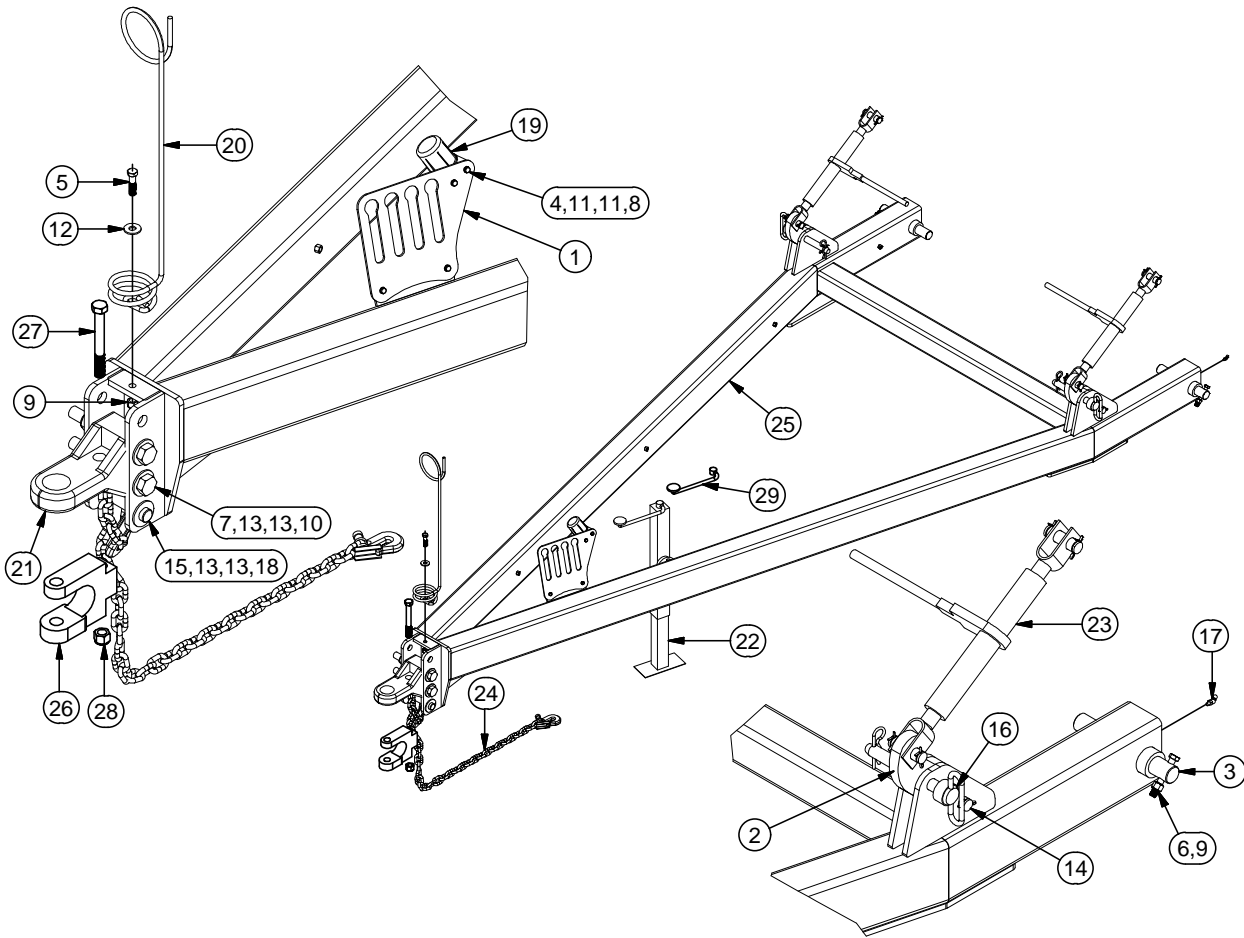
Item	Part #	Description
1	R9930002	Plug, Roller Drum: 2"

Item	1/2" x 36" Roller Drum (Optional)	5/8" x 42" Roller Drum (Standard)	3/4" x 42" Roller Drum (Optional)	Landroller	Description
2	WM002100	WM002101	WM002102	30' Standard	Drum, Roller: 9'
	WM002103	WM002104	WM002105	34' - 50' Narrow	Drum, Roller: 10'
	WM002109	WM002110	WM002111	34' - 50' Standard	Drum, Roller: 11'
3	WM002106	WM002107	WM002108	30' Standard	Drum, Roller: 10-1/2'
	WM002115	WM002116	WM002117	34' Narrow	Drum, Roller: 12'
	WM002112	WM002113	WM002114	34' Standard	Drum, Roller: 11-1/2'
	WM002124	WM002125	WM002126	40' Narrow	Drum, Roller: 15'
	WM002121	WM002122	WM002123	40' Standard	Drum, Roller: 14-1/2'
	WM002133	WM002134	WM002135	45' Narrow	Drum, Roller: 17-1/2'
	WM002130	WM002131	WM002132	45' Standard	Drum, Roller: 17'
	WM002142	WM002143	WM002144	50' Narrow	Drum, Roller: 20'
WM002139	WM002140	WM002141	50' Standard	Drum, Roller: 19-1/2'	



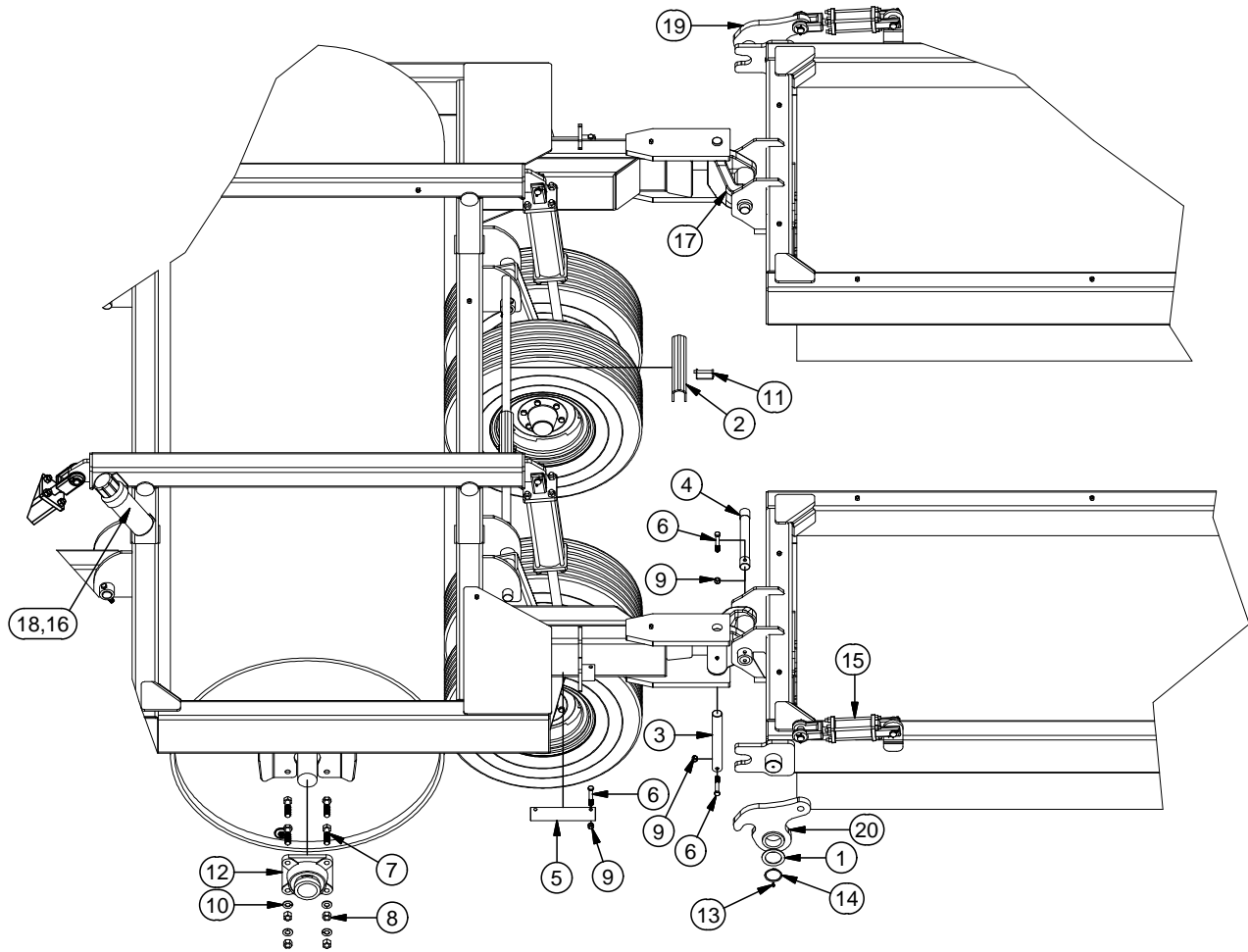
Item	Part #	Description
1	PP021002	Plate, Storage, Hydraulic Coupler
2	PR151002	Pin, Hitch Mounting: 1-1/2"
3	R0110210	Bolt: 1/4" x 1"
4	R0110620	Bolt: 1/2" x 2"
5	R0130635	Bolt, Grd 8: 1/2" x 3-1/2"
6	R0131108	Bolt, Grd 8: 1" x 8"
7	R0410102	Nut, Lock: 1/4"
8	R0410106	Nut, Lock: 1/2"
9	R0430111	Nut, Lock, Grd 8: 1"
10	R0510102	Washer, Flat: 1/4"
11	R0510106	Washer, Flat: 1/2"
12	R0510111	Washer, Flat: 1"
13	R0810601	Pin, Safety Chain: 1"
14	R1502502	Zerk, Grease: 1/8" NPT, 45°
15	R1619251	Pin, Cotter: 3/16" x 2-1/2"
16	R1701018	Protector: Electrical Plug
17	R1899001	Retainer, Hose, Spring Loaded
18	R1930801	Cylinder: 3" x 8" (*Optional)

Item	Part #	Description
19a	R9901003	Hitch, Pintle - CAT 3 (3" Spacing)
19b	R9909008	Hitch, Pintle - CAT 3 (2-1/4" Spacing)
19c	R9909009	Hitch, Pintle - CAT 5 (2-1/4" Spacing)
20a	R9909002	Jack, 7,000 LB - Round Receiver
20b	R9909004	Jack, 7,000 LB - Square Receiver
21	R9909003	Jack, Ratchet
22a	R9910001	Chain, Safety, 3/8"
22b	R9910002	Chain, Safety, 1/2"
23a	WM002086	Hitch, 3-Plex: 30'
23b	WM002082	Hitch, 3-Plex: 34' to 42'
23c	WM002087	Hitch, 3-Plex: 45' to 60'
24	R9901005	Insert, Clevis <i>*optional</i>
25	R0130965	Bolt, Grd 8: 3/4" x 6-1/2" <i>*optional</i>
26	R0410309	Nut, Top Lock, Grd C: 3/4" <i>*optional</i>
27	R9909005	Handle, Jack, (<i>Handle Only</i>)
*	AA001090	Kit, Clevis Hitch Insert (<i>includes items 24 to 26</i>)



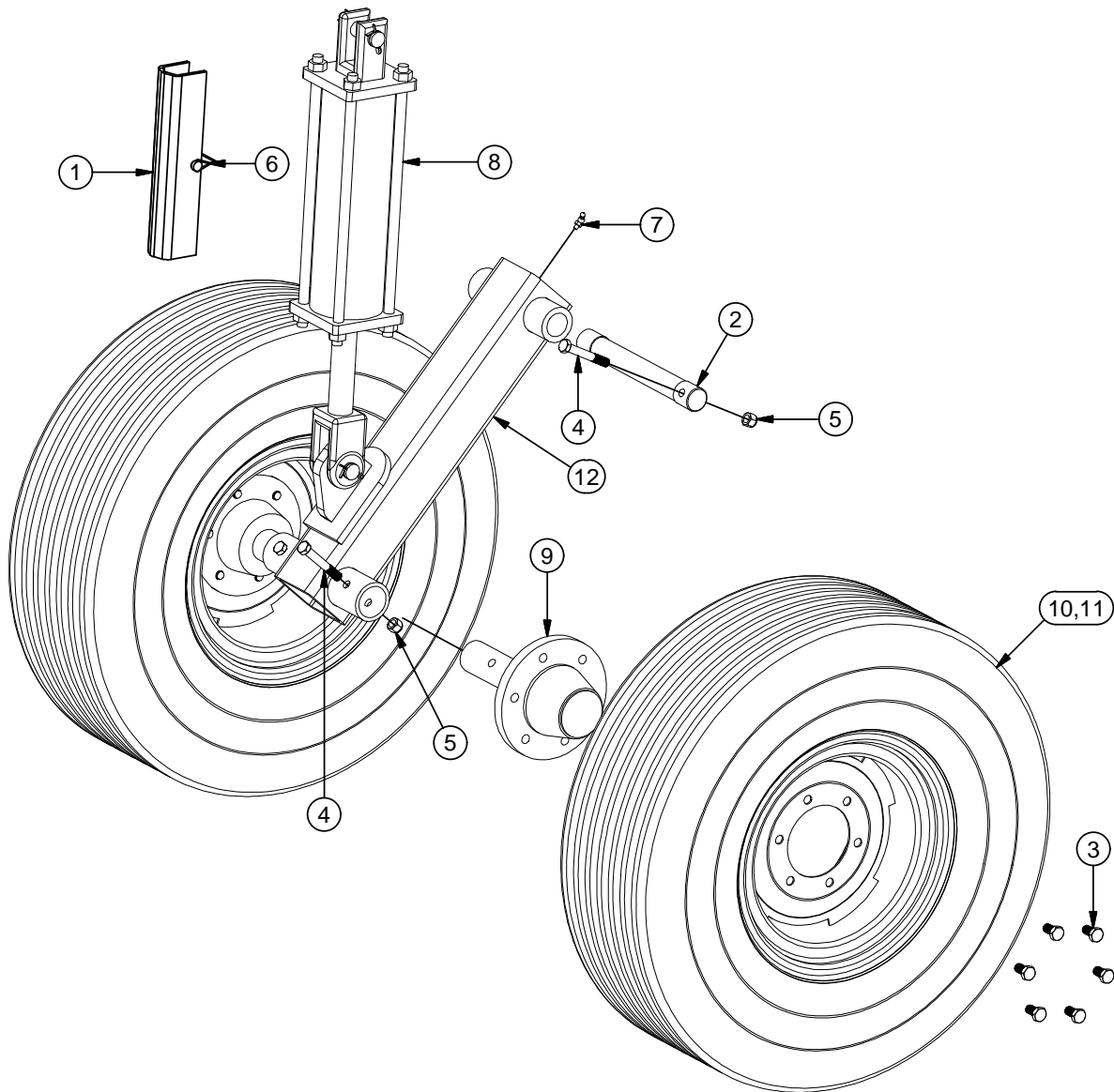
Item	Part #	Description
1	PP021002	Plate, Storage, Hydraulic Coupler
2	PP102103	Linkage, Float, Ratchet Jack
3	PR151002	Pin, Hitch Mounting: 1-1/2"
4	R0110210	Bolt: 1/4" x 1"
5	R0110620	Bolt: 1/2" x 2"
6	R0130635	Bolt, Grd 8: 1/2" x 3-1/2"
7	R0131108	Bolt, Grd 8: 1" x 8"
8	R0410102	Nut, Lock: 1/4"
9	R0410106	Nut, Lock: 1/2"
10	R0430111	Nut, Lock, Grd 8: 1"
11	R0510102	Washer, Flat: 1/4"
12	R0510106	Washer, Flat: 1/2"
13	R0510111	Washer, Flat: 1"
14	R0810301	Pin, Cylinder: 1"
15	R0810601	Pin, Safety Chain: 1"
16	R0810751	Pin, Hitch: 1" x 7-1/2"
17	R1502502	Zerk, Grease: 1/8" NPT, 45°
18	R1619251	Pin, Cotter: 3/16" x 2-1/2"

Item	Part #	Description
19	R1701018	Protector: Electrical Plug
20	R1899001	Retainer, Hose, Spring Loaded
21a	R9901003	Hitch, Pintle - CAT 3 (3" Spacing)
21b	R9909008	Hitch, Pintle - CAT 3 (2-1/4" Spacing)
21c	R9909009	Hitch, Pintle - CAT 5 (2-1/4" Spacing)
22a	R9909002	Jack, 7,000 LB - Round Receiver
22b	R9909004	Jack, 7,000 LB - Square Receiver
23	R9909003	Jack, Ratchet
24a	R9910001	Chain, Safety, 3/8"
24b	R9910002	Chain, Safety, 1/2"
25a	WM002088	Hitch, Mech. Floating, 3-Plex: 30'
25b	WM002084	Hitch, Mech. Floating, 3-Plex: 34' - 42'
25c	WM002089	Hitch, Mech. Floating, 3-Plex: 45' - 60'
26	R9901005	Insert, Clevis *optional
27	R0130965	Bolt, Grd 8: 3/4" x 6-1/2" *optional
28	R0410309	Nut, Top Lock, Grd C: 3/4" *optional
29	R9909005	Handle, Jack, (Handle Only)
*	AA001090	Kit, Clevis Hitch Insert (includes items 24 to 26)

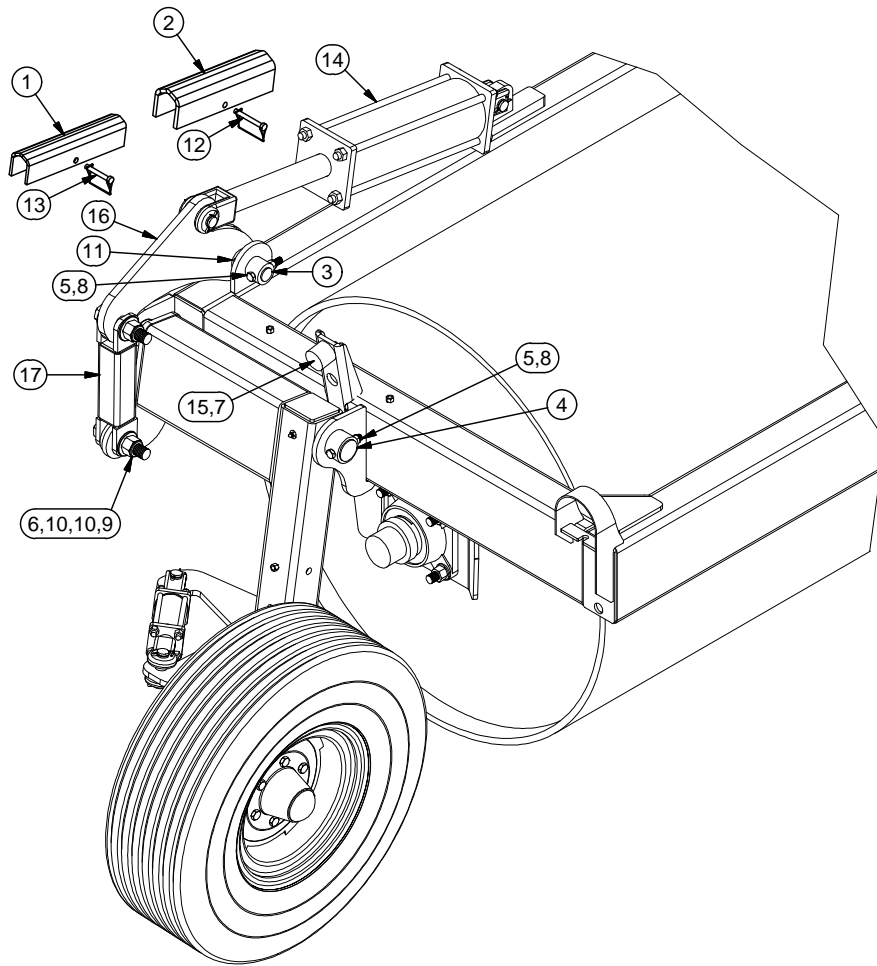


Item	Part #	Description
1	PG102003	Washer, Wing Lock Hook
2	PP032021	Stop, Cylinder, Safety: 1-1/2"
3	PR151001	Pin, Axle Arm & Knuckle: 1-1/2" x 12"
4	PR151003	Pin, Axle Arm & Knuckle: 1-1/2" x 11-1/2"
5	PR202001	Pin, Wing Lock: 2"
6	R0130635	Bolt, Grd 8: 1/2" x 3-1/2"
7	R0120930	Bolt, Grd 5: (Fine): 3/4" x 3"
8	R0420109	Nut, Lock, Grd 2: (Fine): 3/4"
9	R0405001	Nut, Lock: 1/2"
10	R0591009	Washer, Belleville: 3/4"
11	R0804281	Pin, Snap: 3/8" x 2-1/2"

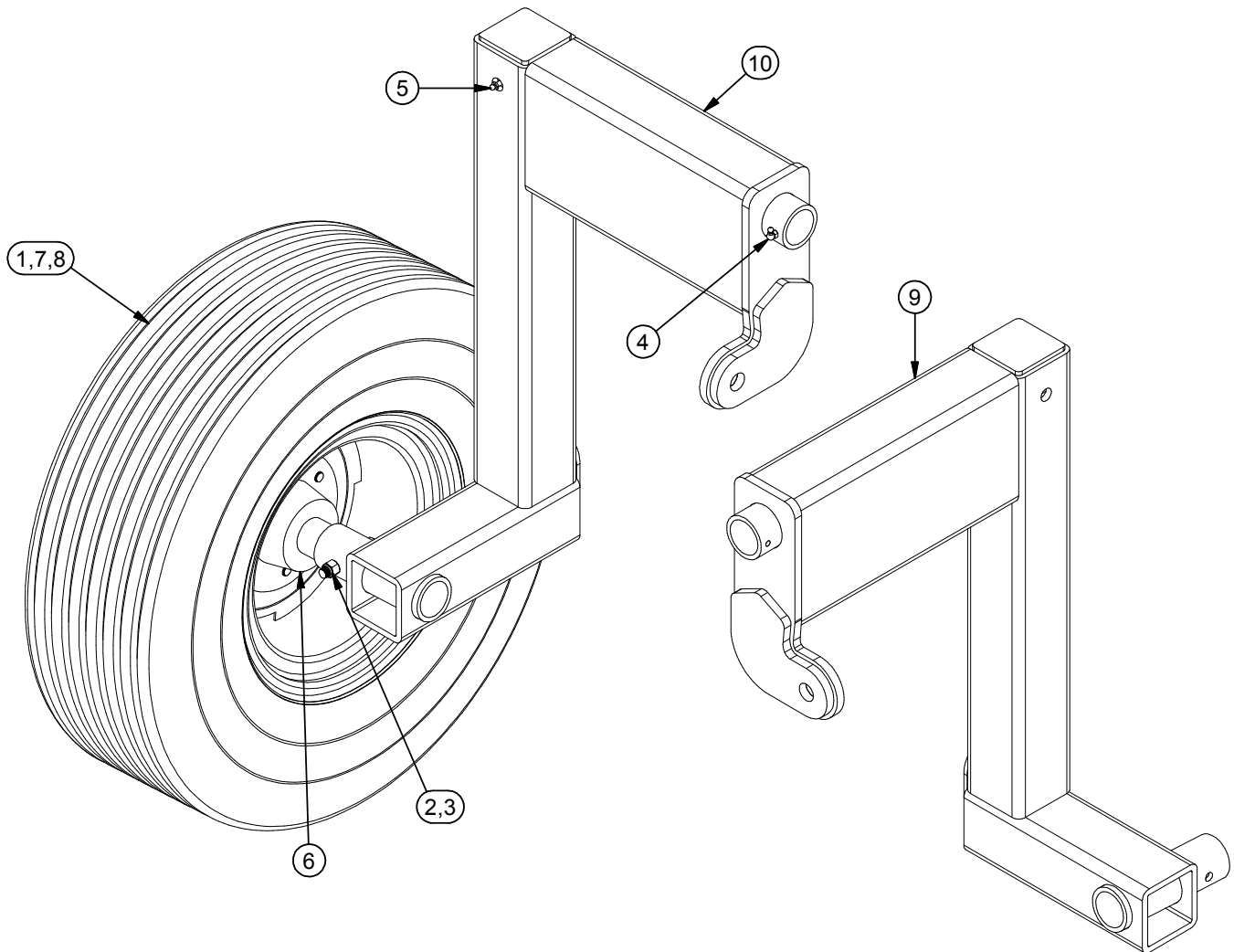
Item	Part #	Description
12a	R1130001	Bearing, Flange, 4-Bolt: 3" (6" Spacing)
12b	R1130002	Bearing, Flange, 4-Bolt: 3" (6-1/4" Spacing)
13	R1502501	Zerk, Grease: 1/8" NPT
14	R1625001	Ring, Snap: 2-1/2"
15	R1920401	Cylinder: 2" x 4"
16	R2101151	Screw, Self Tapping: 1/8" x 1-1/2"
17	R9901004	Knuckle, Cast
18	R9912001	Cannister, Manual
19	WC002100	Hook, Lock, Wing, 3-Plex: RH
20	WC002101	Hook, Lock, Wing, 3-Plex: LH



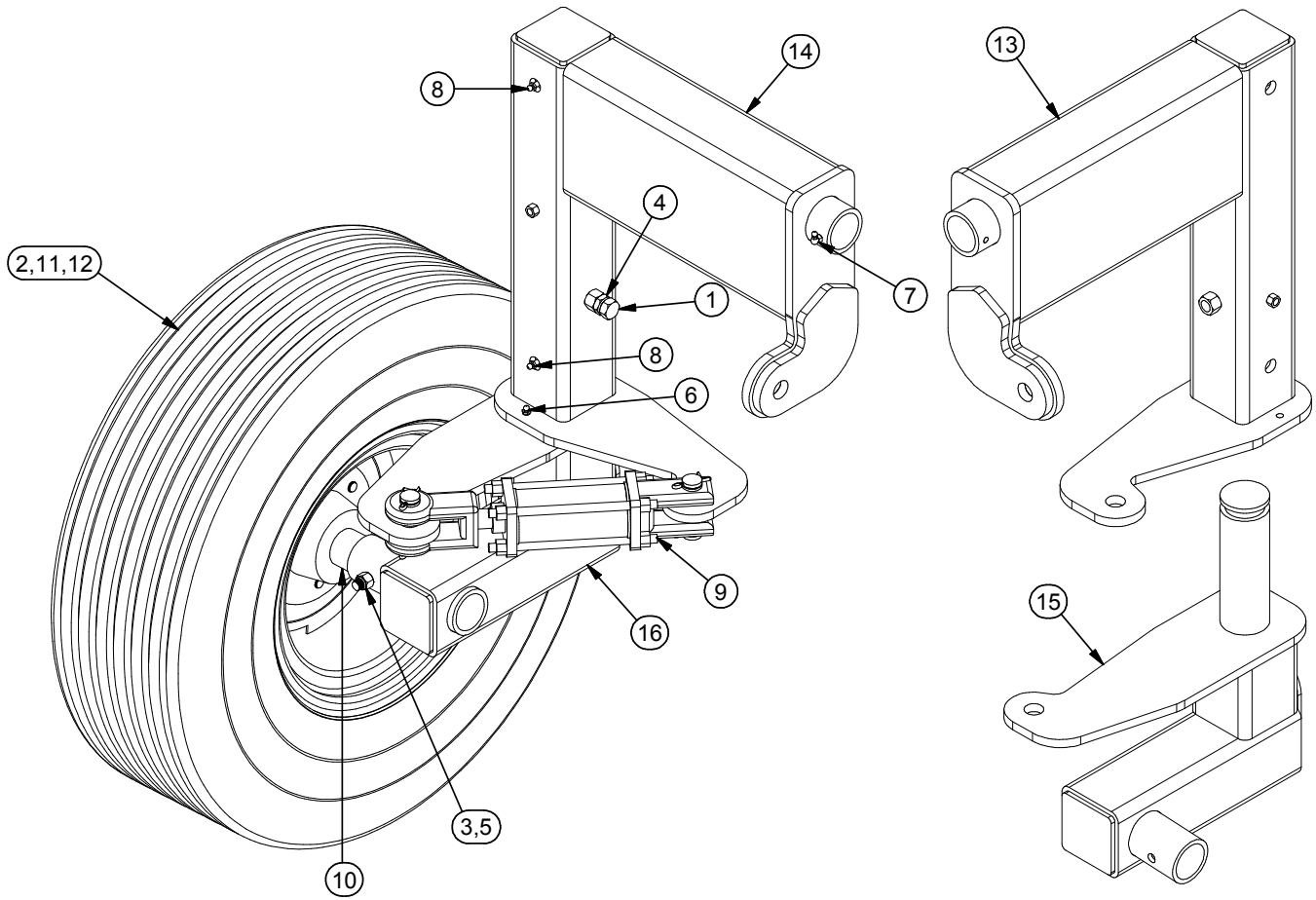
Item	Part #	Description
1	PP032021	Stop, Cylinder, Safety: 1-1/2"
2	PR151005	Pin, Axle Arm: 1-1/2" x 11-1/2" with grease groove
3	R0150713	Bolt, 90° Lug (Fine): 9/16" x 1-1/4"
4	R0106352	Bolt, Grd 8: 1/2" x 3-1/2"
5	R0405001	Nut, Lock: 1/2"
6	R0804281	Pin, Snap: 3/8" x 2-1/2"
7	R1502502	Zerk, Grease: 1/8" NPT, 45°
8	R1941201	Cylinder: 4" x 12"
9	R9903001	Assembly, Wheel Hub / Spindle: 3.25
10	R9907002	Tire, Implement
11	R9908002	Wheel, Implement
12	WC002003	Arm, Axle, Main, 3-Plex



Item	Part #	Description
1	PP032021	Stop, Cylinder, Safety: 1-1/2" (30' - 40' units)
2	PP042014	Stop, Cylinder, Safety: 2" (42' - 50' units)
3	PR132001	Pin, Axle Arm Lift: 1-1/4" x 6"
4	PR202002	Pin, Rear Axle Arm: 2" x 26"
5	R0130635	Bolt, Grd 8: 1/2" x 3-1/2"
6	R0131105	Bolt, Grd 8: 1" x 5"
7	R0410104	Nut, Lock: 3/8"
8	R0410106	Nut, Lock: 1/2"
9	R0430111	Nut, Lock, Grd 8: 1"
10	R0510111	Washer, Flat: 1"
11	R1502501	Zerk, Grease: 1/8" NPT
12	R0804300	Pin, Snap: 3/8" x 3"
13	R0804281	Pin, Snap: 3/8" x 2-1/2"
14a	R1941201	Cylinder: 4" x 12" (40' Unit & Down)
14b	R1951201	Cylinder: 5" x 12" (42' - 50' Units)
15	R9911002	Bumper, Rubber
16	WC002102	Linkage, Cylinder, Wing
17	WC002103	Linkage, Connector, Wing

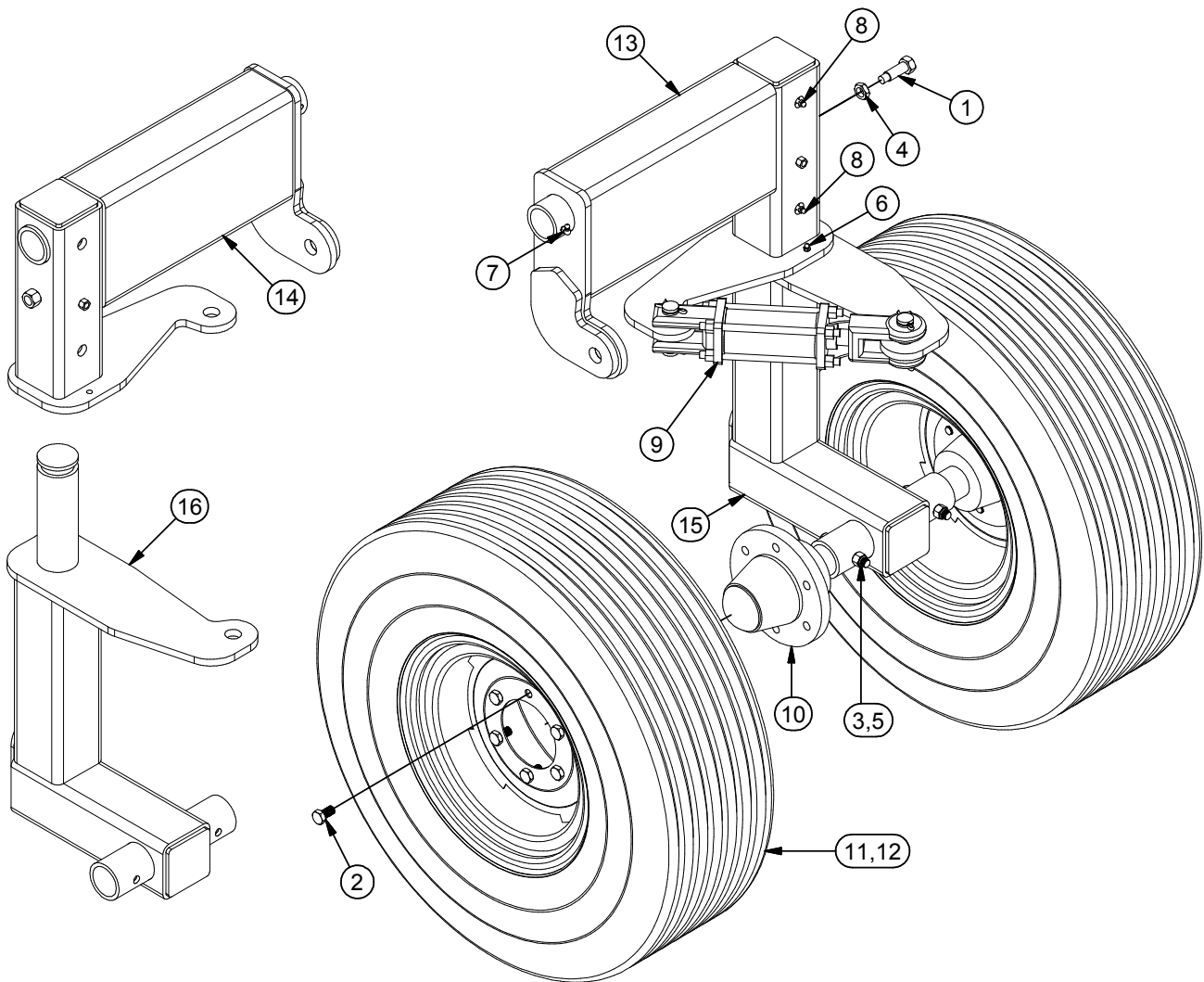


Item	Part #	Description
1	KW100001	Assy, Tire & Wheel (ST235/80/R16 on 6" - 6 Bolt Wheel)
2	R0130635	Bolt, Grd 8: 1/2" x 3-1/2"
3	R0410106	Nut, Lock: 1/2"
4	R1502503	Zerk, Grease: 1/8" NPT, 90°
5	R1502504	Zerk, Grease: 1/8" NPT, 1" Extension
6	R9903001	Assembly, Wheel Hub/Spindle: 3.25
7	R9907002	Tire, Implement - ST235-80-R16
8	R9908002	Wheel, Implement (6" - 6 Bolt)
9	WC002004	Axle Arm, Fixed, 3-Plex: RH
10	WC002005	Axle Arm, Fixed, 3-Plex: LH
*	R0150713	Bolt, 90° Lug (Fine): 9/16" x 1-1/4" (not shown)
**a	AC002004	Assy, Wheels, Wing, Fixed, 3-Plex: RH
**b	AC002005	Assy, Wheels, Wing, Fixed, 3-Plex: LH



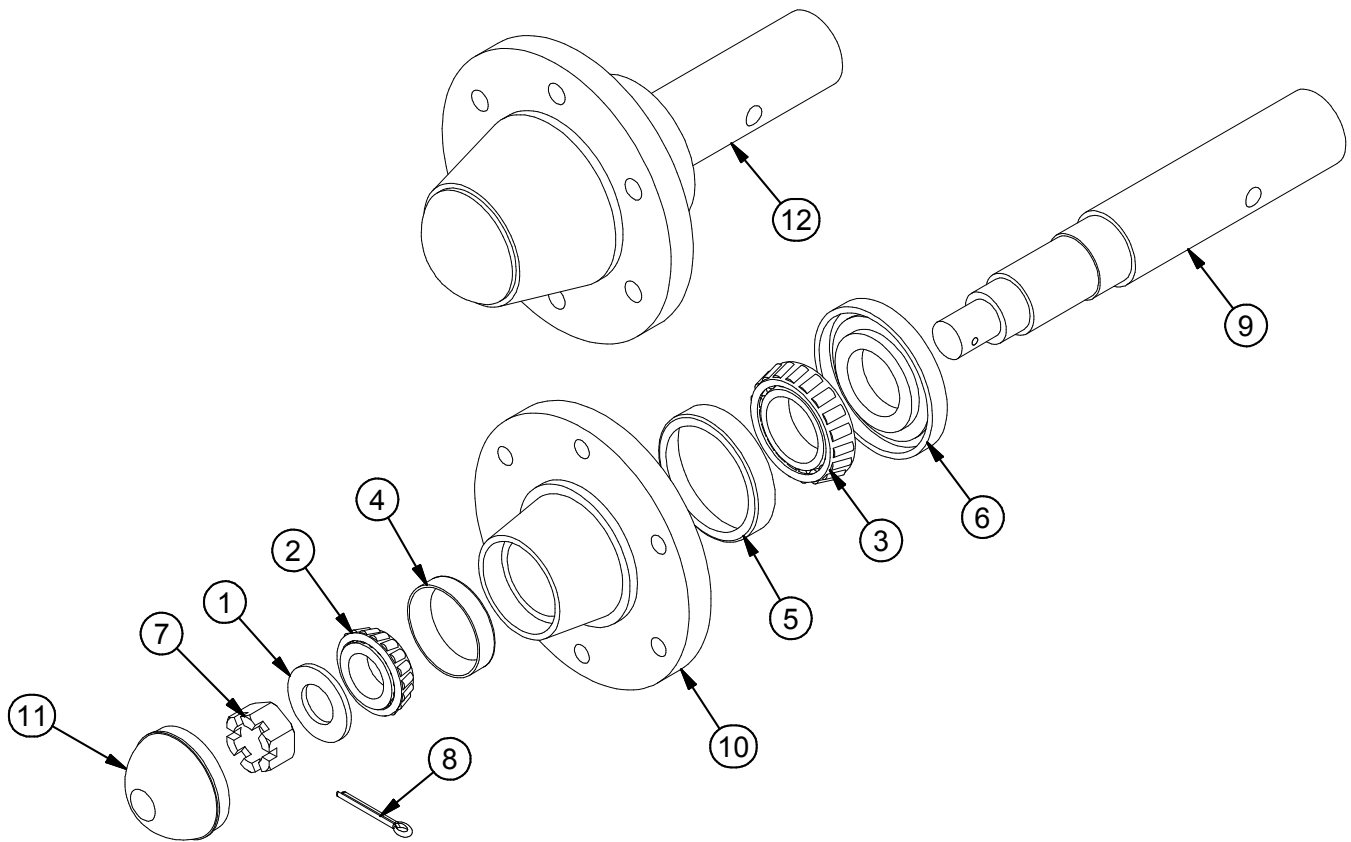
Item	Part #	Description
1	PM062001	Bolt, Retainer: 5/8"
2	KW100001	Assy, Tire & Wheel (ST235/80/R16 on 6" - 6 Bolt Wheel)
3	R0130635	Bolt, Grd 8: 1/2" x 3-1/2"
4	R0310308	Nut, Jam: 5/8"
5	R0430106	Nut, Lock, Grd 8: 1/2"
6	R1502501	Zerk, Grease: 1/8" NPT
13	WC002006	Arm, Axle, Upper, Steering, 3-Plex: RH
14	WC002007	Arm, Axle, Upper, Steering, 3-Plex: LH
15	WC002008	Arm, Axle, Lower, Steering, 3-Plex: RH
16	WC002009	Arm, Axle, Lower, Steering, 3-Plex: LH
*	R0150713	Bolt, 90° Lug (Fine): 9/16" x 1-1/4" <i>not shown</i>
**a	AC002006	Assy, Wheel, Wing, Steering, 3-Plex: RH
**b	AC002007	Assy, Wheel, Wing, Steering, 3-Plex: LH
	R1803004	Valve, Ball: 3/8" (includes handle) - <i>not shown</i>
	R1803005	Handle, Valve, Ball: Replacement (handle only) - <i>not shown</i>

Item	Part #	Description
7	R1502503	Zerk, Grease: 1/8" NPT, 90°
8	R1502504	Zerk, Grease: 1/8" NPT, 1" Ext.
9	R1920401	Cylinder: 2" x 4"
10	R9903006	Assembly, Wheel Hub/Spindle: 2.75
11	R9907002	Tire, Implement - ST235-80-R16
12	R9908002	Wheel, Implement (6" - 6 Bolt)

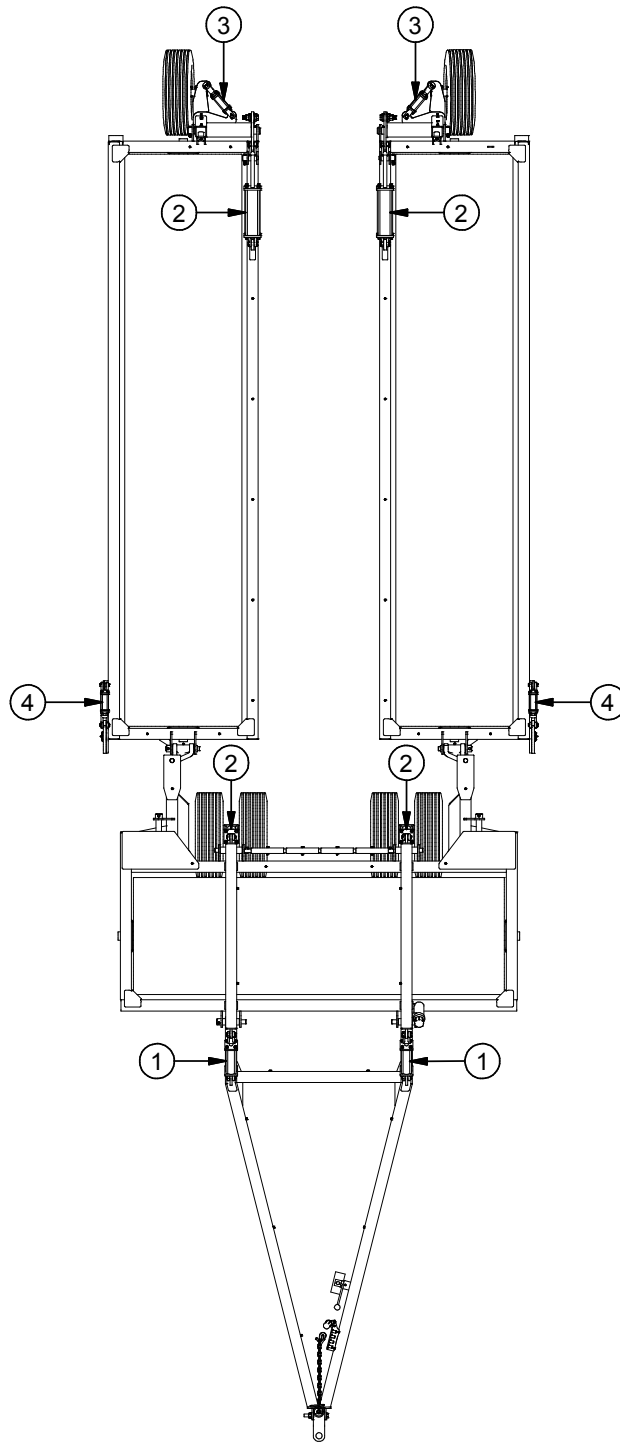


Item	Part #	Description
1	PM062001	Bolt, Retainer: 5/8"
2	R0150713	Bolt, 90° Lug (Fine): 9/16" x 1-1/4"
3	R0130635	Bolt, Grd 8: 1/2" x 3-1/2"
4	R0310308	Nut, Jam: 5/8"
5	R0430106	Nut, Lock, Grd 8: 1/2"
6	R1502501	Zerk, Grease: 1/8" NPT
13	WC002010	Arm, Axle, Upper, Steering, Duals, 3-Plex: RH
14	WC002011	Arm, Axle, Upper, Steering, Duals, 3-Plex: LH
15	WC002012	Arm, Axle, Lower, Steering, Duals, 3-Plex: RH
16	WC002013	Arm, Axle, Lower, Steering, Duals, 3-Plex: LH
*	KW100001	Assy, Tire & Wheel (ST235/80/R16 on 6" - 6 Bolt Wheel)
**a	AC002008	Assy, Wheel, Wing, Steering, Duals, 3-Plex: RH
**b	AC002009	Assy, Wheel, Wing, Steering, Duals, 3-Plex: LH
	R1803004	Valve, Ball: 3/8" (includes handle) - <i>not shown</i>
	R1803005	Handle, Valve, Ball: Replacement (handle only) - <i>not shown</i>

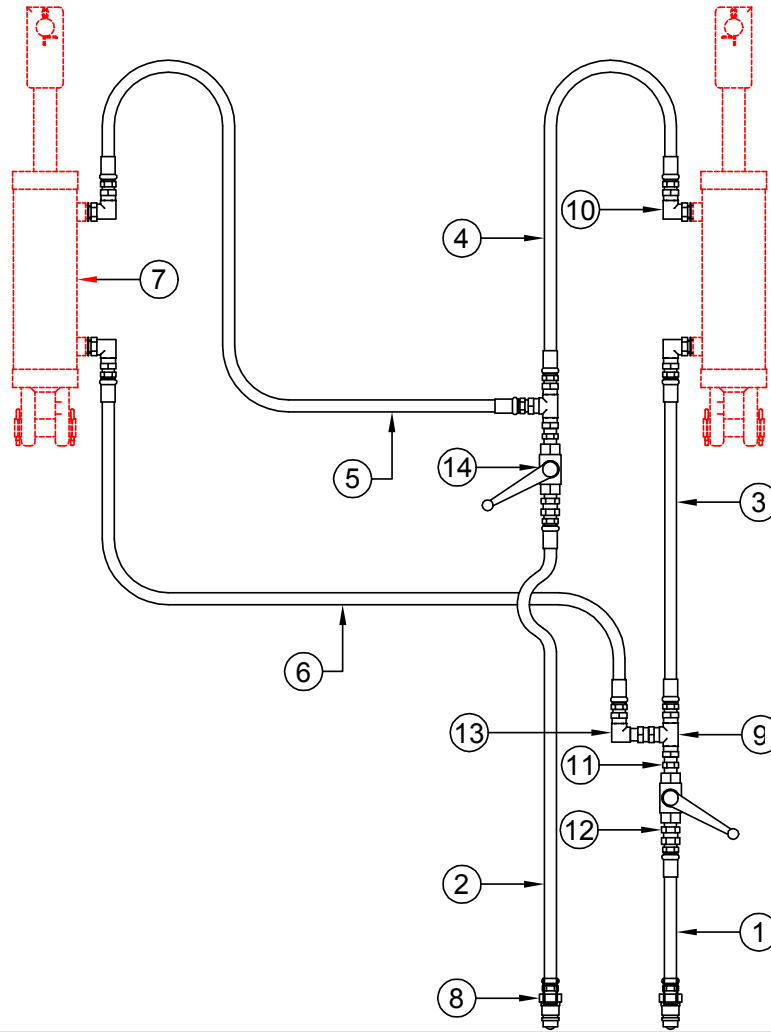
Item	Part #	Description
7	R1502503	Zerk, Grease: 1/8" NPT, 90°
8	R1502504	Zerk, Grease: 1/8" NPT, 1" Ext.
9	R1920401	Cylinder: 2" x 4"
10	R9903006	Assembly, Wheel Hub/Spindle: 2.75
11	R9907002	Tire, Implement - ST235-80-R16
12	R9908002	Wheel, Implement (6" - 6 Bolt)



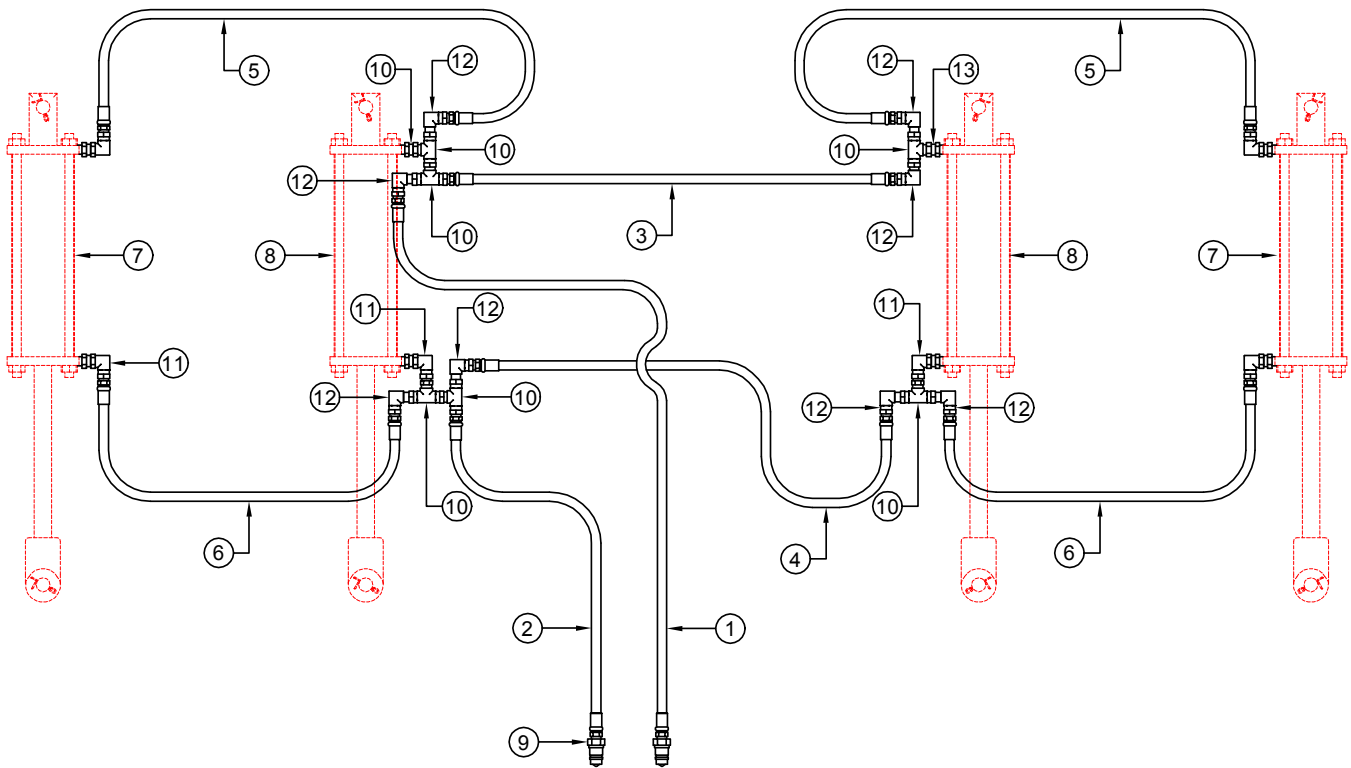
Item	Page	Description
1	R0510111	Washer, Flat: 1"
2	R1113801	Bearing, Roller, Tapered: 1-3/8
3	R1117501	Bearing, Roller, Tapered, 1-3/4
4	R1213801	Race, Bearing: 1-3/8
5	R1217501	Race, Bearing: 1-3/4
6	R1320001	Seal, Grease
7	R1410001	Nut, Castle: 1"
8	R1619251	Pin, Cotter: 3/16" x 2-1/2"
9	R9904001	Spindle, Wheel: 3.25 Seal to Hole Center - see spindle order form at back
	R9904005	Spindle, Wheel: 2.75 Seal to Hole Center - see spindle order form at back
10	R9905001	Hub, Wheel
11	R9906001	Cap, Dust
12	R9903001	Assembly, Wheel Hub / Spindle: 3.25 For Main Frame Axles
	R9903006	Assembly, Wheel Hub / Spindle: 2.75 For Rear Wing Axles
*	KB120001	Kit, Wheel Bearing & Seal (includes items 2 to 6)
		Note: Cross Reference Numbers available at back of manual



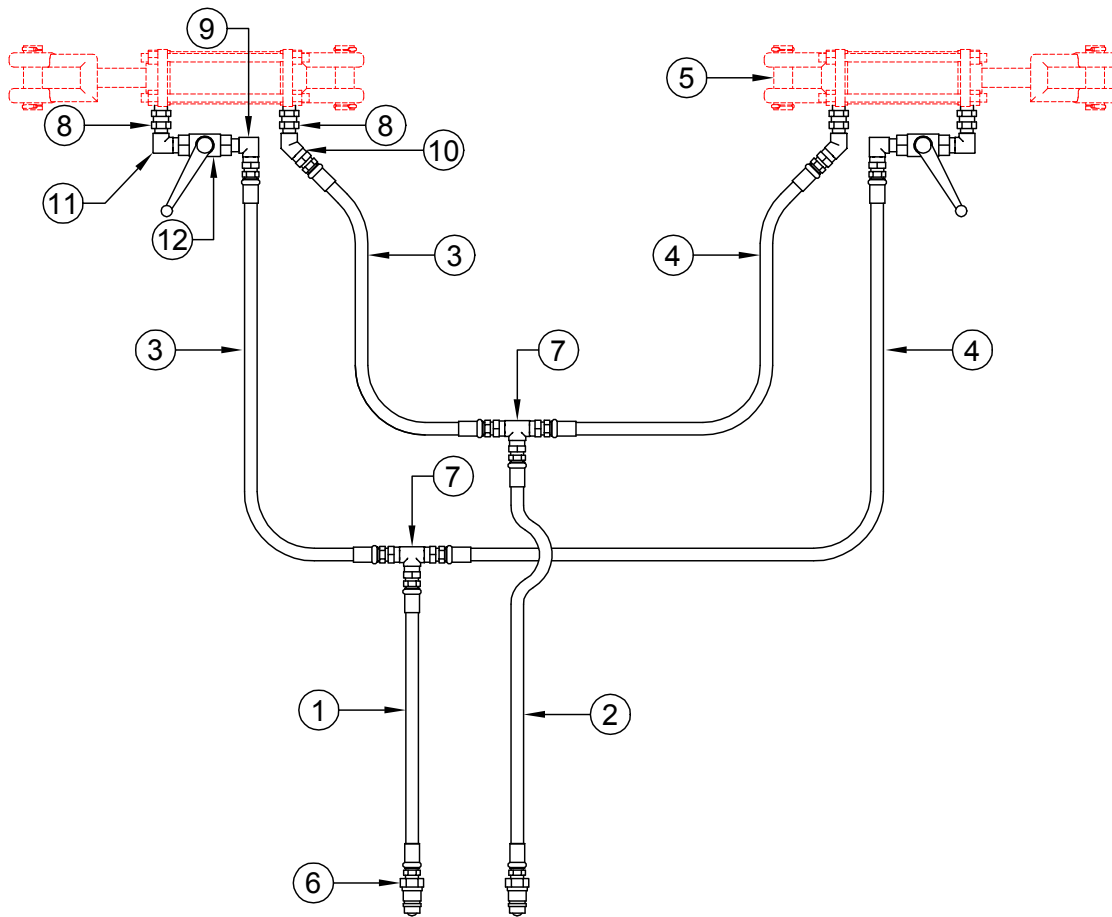
Item	Page	Description
1	16	Floating Hitch Hydraulic Schematic
2	17	Wheel Lift Hydraulic Schematic
3	18-19	Rear Steering Hydraulic Schematic
4	20	Wing Lock Hydraulic Schematic



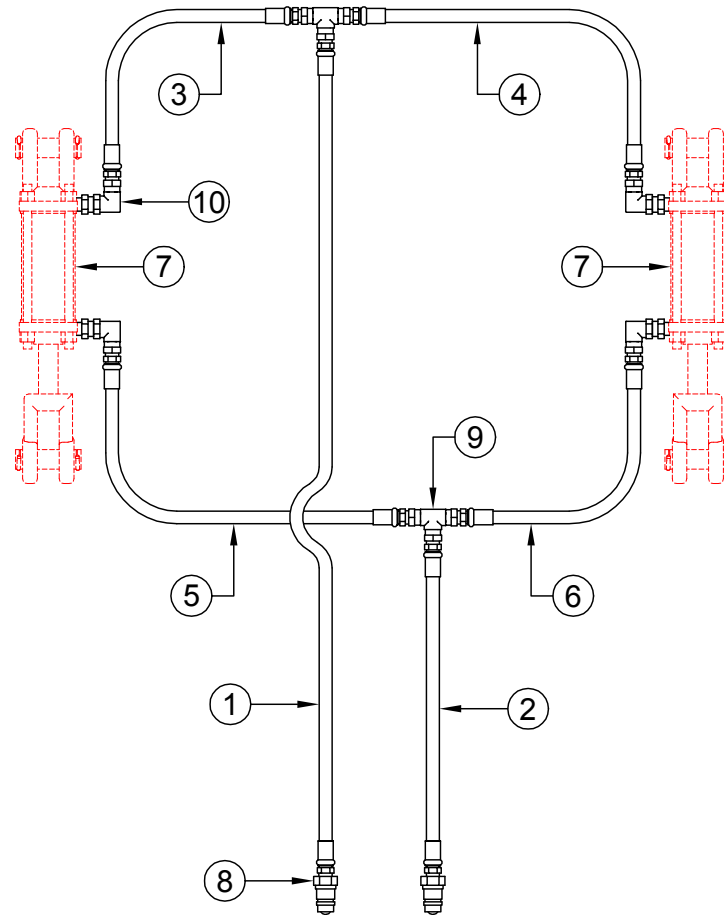
Item	Part #	Description
1	R1810168	Hose, Hydraulic: 3/8" - 168"
2	R1810168	Hose, Hydraulic: 3/8" - 168"
3	R1810020	Hose, Hydraulic: 3/8" - 20"
4	R1810022	Hose, Hydraulic: 3/8" - 22"
5	R1810063	Hose, Hydraulic: 3/8" - 63"
6	R1810056	Hose, Hydraulic: 3/8" - 56"
7	R1930801	Cylinder: 3"x 8"
8	R1802001	Tip, Ball, Male: 1/2"
9	R1802002	Tee, Female, Swivel, NPT: 3/8"
10	R1802004	Elbow, 90°, #8 ORB Male to 3/8" NPT Female Swivel
11	R1802007	Nipple, Male NPT: 3/8"
12	R1802010	3/8" Male NPT to 3/8" Female NPT Swivel
13	R1802008	Elbow, 90°, 3/8" Male NPT to 3/8" Female NPT Swivel
14a	R1803004	Valve, Ball: 3/8" (includes handle)
14b	R1803005	Handle, Valve, Ball: Replacement (handle only)
*	AA001030	Kit, Floating Hitch: 30' Land Roller
**	AA001031	Kit, Floating Hitch: 34' - 60' Land Roller



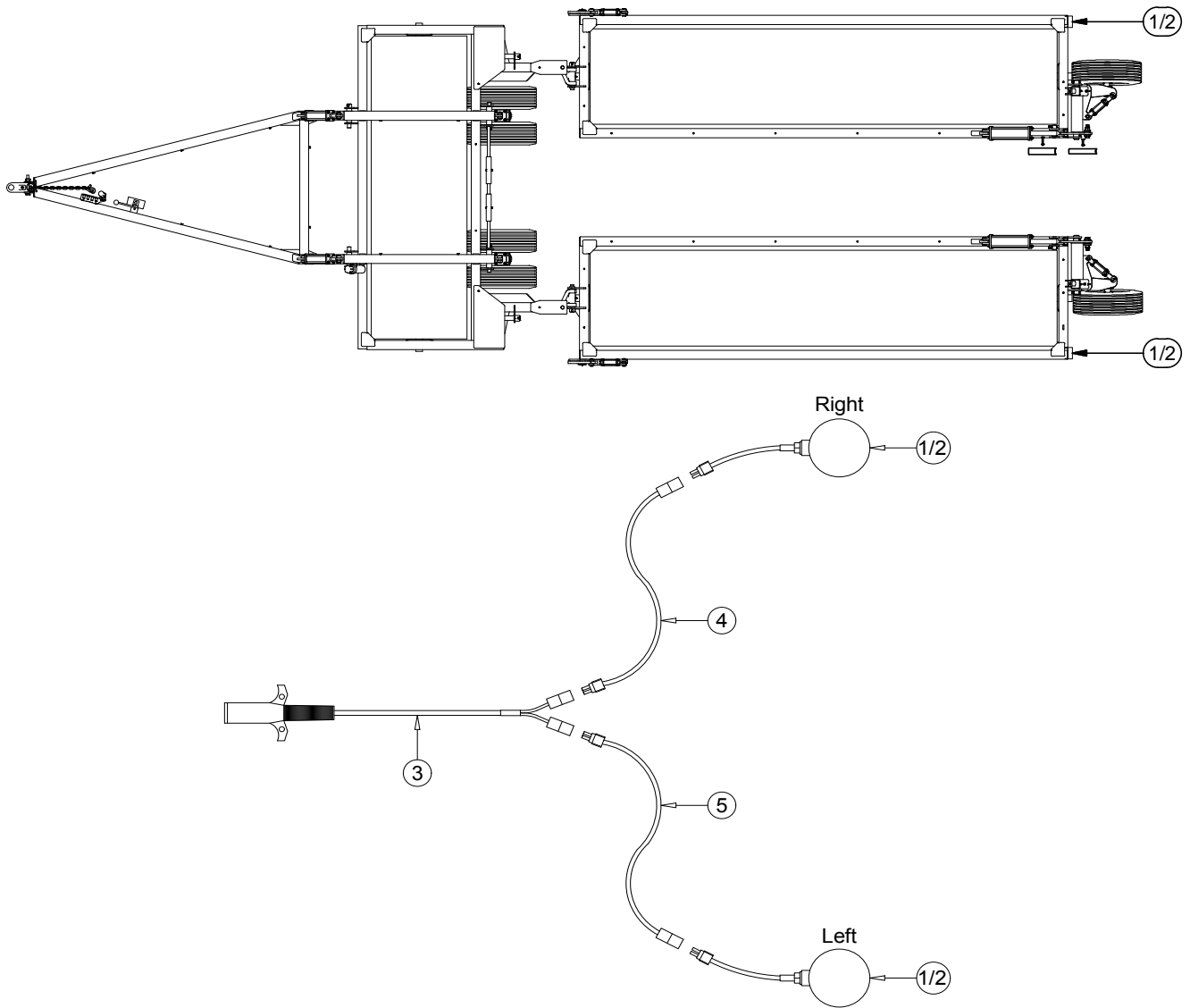
Landroller	Item	Part #	Description	Item	Part #	Description		
34'-50'	1	R1810276	Hose, Hydraulic: 3/8" - 276"	2	R1810294	Hose, Hydraulic: 3/8" - 294"		
34'-50' Narrow	3	R1810057	Hose, Hydraulic: 3/8" - 57"	4	R1810064	Hose, Hydraulic: 3/8" - 64"		
34'-50' Standard		R1810069	Hose, Hydraulic: 3/8" - 69"		R1810076	Hose, Hydraulic: 3/8" - 76"		
34'` Narrow	5	R1810208	Hose, Hydraulic: 3/8" - 208"	6	R1810225	Hose, Hydraulic: 3/8" - 225"		
34'` Standard		R1810202	Hose, Hydraulic: 3/8" - 202"		R1810219	Hose, Hydraulic: 3/8" - 219"		
40'` Narrow		R1810244	Hose, Hydraulic: 3/8" - 244"		R1810261	Hose, Hydraulic: 3/8" - 261"		
40'` Standard		R1810238	Hose, Hydraulic: 3/8" - 238"		R1810255	Hose, Hydraulic: 3/8" - 255"		
45'` Narrow		R1810274	Hose, Hydraulic: 3/8" - 274"		R1810291	Hose, Hydraulic: 3/8" - 291"		
45'` Standard		R1810268	Hose, Hydraulic: 3/8" - 268"		R1810285	Hose, Hydraulic: 3/8" - 285"		
50'` Narrow		R1810304	Hose, Hydraulic: 3/8" - 304"		R1810321	Hose, Hydraulic: 3/8" - 321"		
50'` Standard		R1810298	Hose, Hydraulic: 3/8" - 298"		R1810315	Hose, Hydraulic: 3/8" - 315"		
34'-40'		7	R1941201		Cylinder: 4" x 12"			
42'-50'			R1951201		Cylinder: 5" x 12"			
	8	R1941201	Cylinder: 4" x 12"					
	9	R1802001	Tip, Ball, Male: 1/2"					
	10	R1802003	Tee, 2-Way 3/8" Female NPT Swivel to 3/8" Male NPT					
	11	R1802004	Elbow, 90°, #8 ORB Male to 3/8" NPT Female Swivel					
	12	R1802008	Elbow, 90°, 3/8" Male NPT to 3/8" Female NPT Swivel					
	13	R1802011	#8 ORB Male to 3/8" Female NPT Swivel					



Landroller	Item	Part #	Description	Item	Part #	Description
34' - 50'	1	R1810276	Hose, Hydraulic: 3/8" - 276"	2	R1810276	Hose, Hydraulic: 3/8" - 276"
34' Narrow	3	R1810293	Hose, Hydraulic: 3/8" - 293"	4	R1810330	Hose, Hydraulic: 3/8" - 330"
34' Standard		R1810287	Hose, Hydraulic: 3/8" - 287"		R1810336	Hose, Hydraulic: 3/8" - 336"
40' Narrow		R1810329	Hose, Hydraulic: 3/8" - 329"		R1810366	Hose, Hydraulic: 3/8" - 366"
40' Standard		R1810323	Hose, Hydraulic: 3/8" - 323"		R1810372	Hose, Hydraulic: 3/8" - 372"
45' Narrow		R1810359	Hose, Hydraulic: 3/8" - 359"		R1810396	Hose, Hydraulic: 3/8" - 396"
45' Standard		R1810353	Hose, Hydraulic: 3/8" - 353"		R1810402	Hose, Hydraulic: 3/8" - 402"
50' Narrow		R1810389	Hose, Hydraulic: 3/8" - 389"		R1810426	Hose, Hydraulic: 3/8" - 426"
50' Standard		R1810383	Hose, Hydraulic: 3/8" - 383"		R1810432	Hose, Hydraulic: 3/8" - 432"
		5	R1920401		Cylinder: 2" x 4"	
	6	R1802001	Tip, Ball, Male: 1/2"			
	7	R1802002	Tee, Female, Swivel, NPT: 3/8"			
	8	R1802006	Adapter, #8 ORB Male to 3/8" Female NPT Swivel			
	9	R1802008	Elbow, 90°, 3/8" Male NPT to 3/8" Female NPT Swivel			
	10	R1802012	Elbow, 45°, 3/8" Male NPT to 3/8" Female NPT Swivel			
	11	R1802013	Elbow, 90°, 3/8" Male NPT to 3/8" Male NPT			
	12a	R1803004	Valve, Ball: 3/8"			
	12b	R1803005	Handle, Valve, Ball: Replacement (handle only)			



Landroller	Item	Part #	Description	Item	Part #	Description
34' - 50'	1	R1810276	Hose, Hydraulic: 3/8" - 276"	2	R1810276	Hose, Hydraulic: 3/8" -276"
34' - 50' Narrow	3	R1810136	Hose, Hydraulic: 3/8" - 136"	4	R1810095	Hose, Hydraulic: 3/8" - 95"
34' - 50' Standard		R1810148	Hose, Hydraulic: 3/8" - 148"		R1810095	Hose, Hydraulic: 3/8" - 95"
34' - 50' Narrow	5	R1810131	Hose, Hydraulic: 3/8" - 131"	6	R1810092	Hose, Hydraulic: 3/8" - 92"
34' - 50' Standard		R1810143	Hose, Hydraulic: 3/8" - 143"		R1810092	Hose, Hydraulic: 3/8" - 92"
	7	R1920401	Cylinder: 2" x 4"			
	8	R1802001	Tip, Ball, Male: 1/2"			
	9	R1802002	Tee, Female, Swivel, NPT: 3/8"			
	10	R1802004	Elbow, 90°, #8 ORB Male to 3/8" NPT Female Swivel			



Item	Part #	Description
1	R1701001	Light, Hazard: Incandescent
2	R1701002	Light, Hazard: L.E.D.
3	R1701007	Harness, Plug, Hazard Lights
4	R1701008	Harness, Hazard Light, 30': RH
	R1701009	Harness, Hazard Light, 34': RH
	R1320010	Harness, Hazard Light, 40': RH
	R1320011	Harness, Hazard Light, 45': RH
	R1320012	Harness, Hazard Light, 50': RH

Item	Part #	Description
5	R1320012	Harness, Hazard Light, 50': RH
	R1320013	Harness, Hazard Light, 30': LH
	R1320014	Harness, Hazard Light, 34': LH
	R1320015	Harness, Hazard Light, 40': LH
	R1320016	Harness, Hazard Light, 45': LH
	R1320017	Harness, Hazard Light, 50': LH
6	KL100030	Kit, Light, L.E.D., Complete: 30' LR
	KL100034	Kit, Light, L.E.D., Complete: 34' LR
	KL100040	Kit, Light, L.E.D., Complete: 40' LR
	KL100045	Kit, Light, L.E.D., Complete: 45' LR
	KL100050	Kit, Light, L.E.D., Complete: 50' LR

SPINDLE ORDER FORM

Client Name: _____

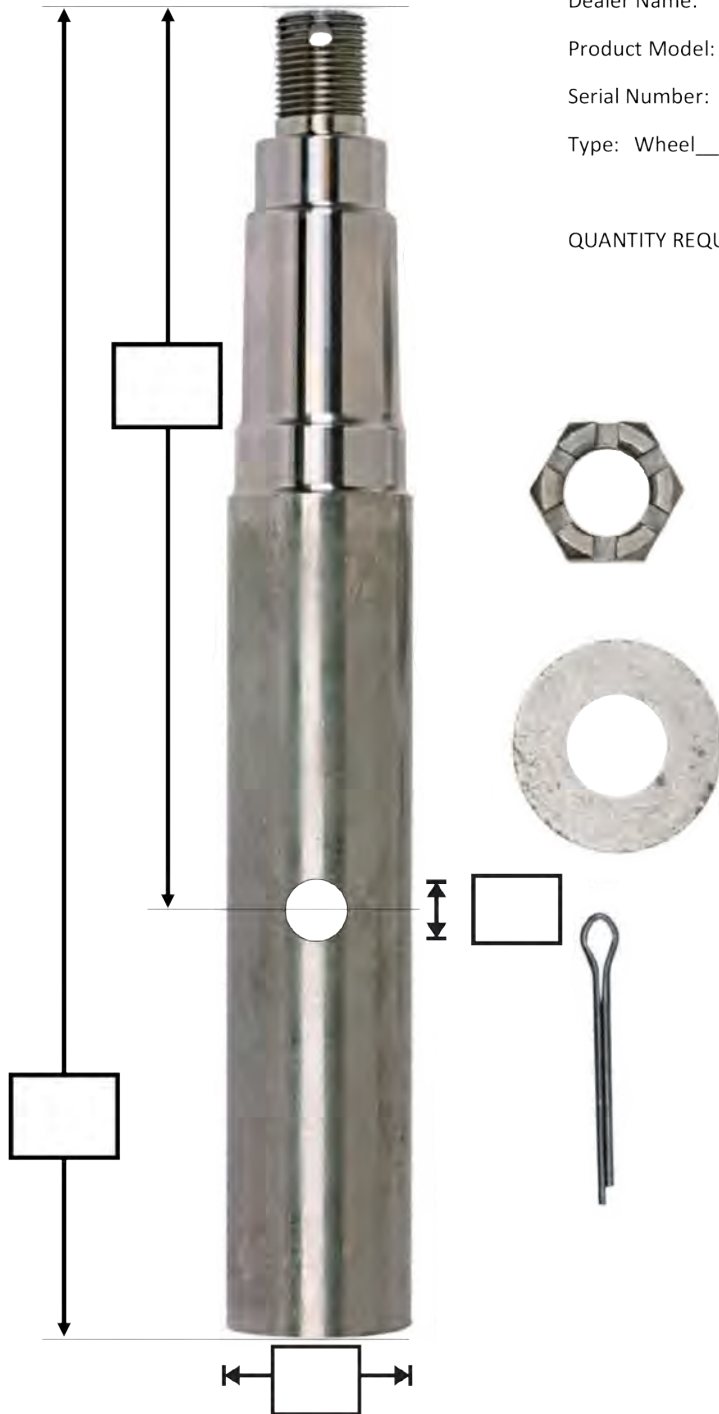
Dealer Name: _____

Product Model: _____

Serial Number: _____

Type: Wheel _____; Coulter _____; Other _____

QUANTITY REQUIRED: _____



Note: Not to scale - may not be exactly as illustrated

CYLINDER STOP ORDER FORM



Client Name: _____

Dealer Name: _____

Product: Land Roller Twister Other

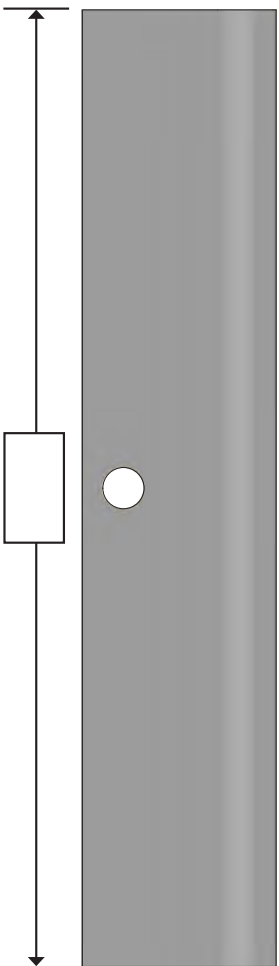
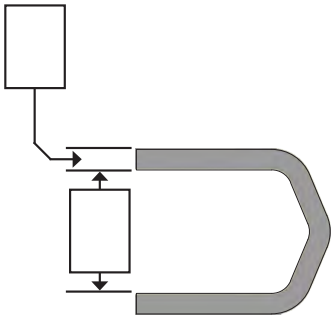
Other (specify): _____

Serial Number: _____

Cylinder: Monarch Lion Prince
 Shur-Lift Other

Other (specify): _____

Qty Required: _____



CYLINDER STOP ORDER FORM



Client Name: _____

Dealer Name: _____

Product: Land Roller Twister Other

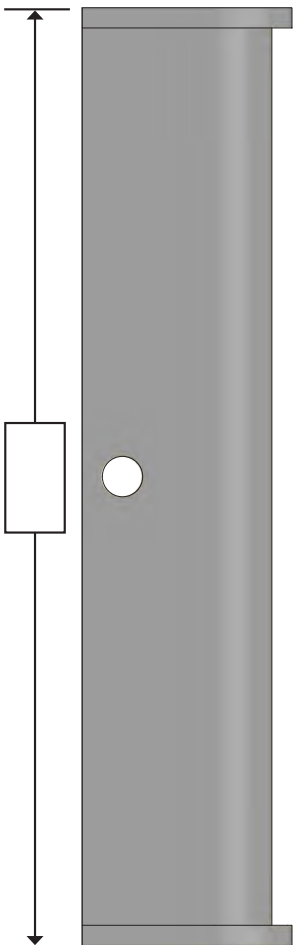
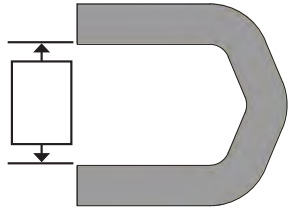
Other (specify): _____

Serial Number: _____

Cylinder: Monarch Lion Prince
 Shur-Lift Other

Other (specify): _____

Qty Required: _____



CYLINDER/SEAL REPAIR KIT ORDER FORM



Stroke



Retracted Length (center to center)

Pin Size

Client Name: _____

Dealer Name: _____

Product: Land Roller Twister Other _____

Other (specify): _____

Serial Number: _____

Cylinder: Monarch Lion Prince Shur-Lift Other - specify _____

Type: Replacement Cylinder Seal Repair Kit

Other (specify): _____

Style: Welded Tie-Rod _____

Rod Size: _____

Bore Size: _____

Colour: _____

Qty Required: _____



Manufacturer Number(s)



Mechanical Acre Counter	
Type	Part #
36" Dia Drum	AA001001
42" Dia Drums	AA001002



Clevis Hitch Insert	
Desc	Part #
Clevis Hitch Insert Kit	AA001090
see pages 6 & 7 for more details	

LAND ROLLER ACRE COUNTER CONVERSION CHART

42" Diameter Drum Land Roller	
6'	0.73
8'	0.97
10'	1.21
12'	1.45
15'	1.82
20'	2.42
30'	3.63
34'	4.12
40'	4.85
42'	5.09
45'	5.45
50'	6.06
60'	7.27
61'	7.39
62'	7.51
65'	7.88
70'	8.48
75'	9.09
80'	9.69
85'	10.30

36" Diameter Drum Land Roller	
6'	0.73
8'	0.97
10'	1.21
12'	1.45
15'	1.82
20'	2.42
30'	3.63
34'	4.12
40'	4.85
42'	5.09
45'	5.45
50'	6.06
60'	7.27
61'	7.39
62'	7.51
65'	7.88
70'	8.48
75'	9.09
80'	9.69
85'	10.30

** NOTE **
Acre Counters are specifically calibrated for either a 42" or 36" diameter drum. This is why the multiplier numbers are identical.

** USING THE CONVERSION CHART **

- Step 1: Always remember to check acre counter reading before you start rolling.
IMPORTANT!! Write this number down!

- Step 2: When finished rolling, calculate the difference from the beginning to end of the acre counter

- Step 3: Multiply acre counter number (ending number minus starting number) with the number as associated on the chart above. Make sure to use the right land roller LENGTH and DRUM SIZE

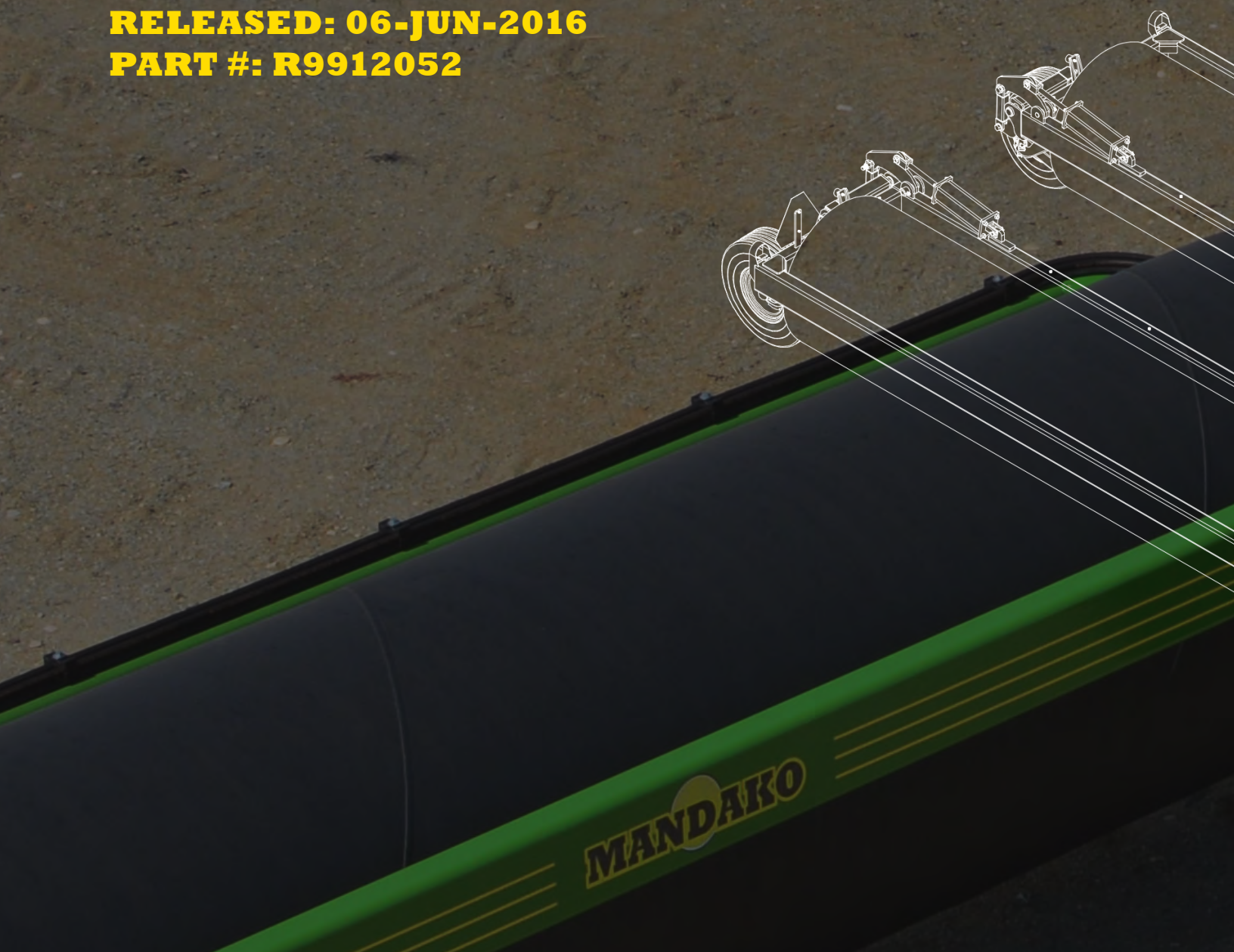
618 Wheel Hub, From Page 14

Description	Mandako #	CTD #
Dust Cap	R9906001	DC-15
Grease Seal	R1320001	SE30
Inner Bearing	R1117501	25580
Outer Bearing	R1113801	LM48548
Inner Race	R1217501	25520
Outer Race	R1213801	LM48510

Notes:

Note: Page intentionally left blank

RELEASED: 06-JUN-2016
PART #: R9912052



MANDAKO AGRI MARKETING (2010) LTD.

Box 379 | 12159B Hwy 306
Plum Coulee, MB R0G 1R0
(888) 525-5892
sales@mandakoagri.com
www.mandako.com

